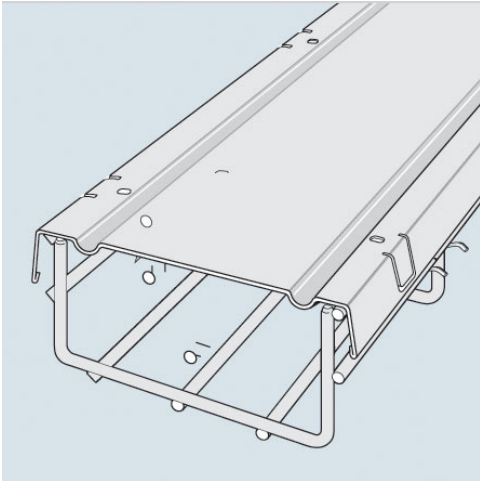




Cablofil
CABLOFIL COVER-STAINLESS (3 PCS) (12W) [629304]
Part No. 629304



Cablofil Wiremesh Cable Tray concept based upon performance, safety and economy; three qualities which make Cablofil Wiremesh Cable Tray system preferred by installers. Cablofil adapts to the most complex configurations, and its structure gives maximum strength for minimum weight. The ease of creating fittings, carried out on site, as well as the wide range of unique and universal accessories gives complete freedom in routing combined with exceptionally fast installation.

Features & Benefits

Cover eliminates dirt and dust build-up on cable. Field fabricate on-site to fit changes in levels. Use built-in tabs for permanent attachment to tray. 3- 3.3' covers are included in each package to cover 1-10' section of tray.

Specifications

General Info

| | | | |
|--------------|-------------------|-------------------|---------------|
| Product Line | Cablofil | Finish | Stainless 316 |
| UPC Number | 800388004641 | Country Of Origin | Italy |
| Type | Straight Sections | | |

Dimensions

| | | | |
|-------------------|-------------|-------------------|---------|
| Product Width US | 13.0 in | Product Weight US | 14.8 lb |
| Product Volume US | 0.297 cu ft | Product Depth US | 39.5 in |
| Product Height US | 1.0 in | | |

Buy American Act Compliance

| | |
|-----|-----|
| BAA | Yes |
|-----|-----|

Additional Information

RoHS Conformant

Yes

Product Environmental Profile

Yes
