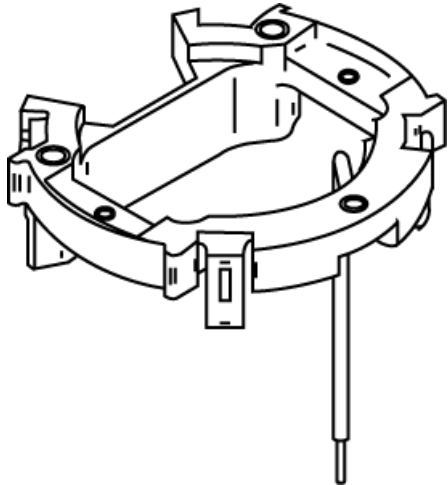




Wiremold
Ratchet-Pro 881 Series Ratchet Adjusting Ring
Part No. 881ADP



Used to attach wiring devices and cover plates to PVC box. Locks into place without using glue or mechanical fasteners. Compensates for up to 10° of tilt if box is not level. Ground wire is factory attached to the adjusting ring. One ring required per box, single- or dual-service, ordered separately.

Features & Benefits

Used to attach wiring devices and cover plates to PVC box. Locks into place without using glue or mechanical fasteners. Compensates for up to 10° of tilt if box is not level. Ground wire is factory attached to the adjusting ring. One ring required per box, single- or dual-service, ordered separately.

Specifications

General Info

Product Line	Wiremold	UPC Number	786564524274
Country Of Origin	United States	Construction	Not Assembled
Application Sector	Commercial	Standard	cULus Listed Metallic Outlet Boxes: File E2961 Guide QCIT Meets Article 314.27(C) of NEC.
Type	Floor Box		

Dimensions

Product Width US	4.0 in	Product Depth US	4.0 in
Product Height US	1.13 in		

Listing Agencies / 3rd Party Agencies

cULus ListingNumber	E110748	cULus Listed	Yes
---------------------	---------	--------------	-----

Buy American Act Compliance

NAFTA

Yes

Additional Information

RoHS Conformant

Yes
