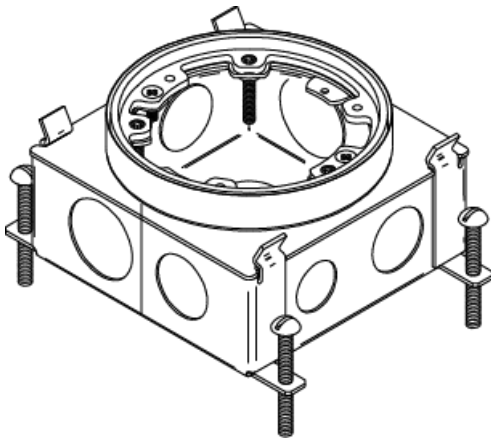




Wiremold
886B Stamped Steel Floor Box
Part No. 886B



The 880 Series Floor Box provides an excellent solution for the low density power or communication requirements in open space areas. The 880 Series brings the power or communication service directly to the workstation. The 880 Series comes in a cast iron version for on grade applications and an economical stamped steel version for above grade applications. The 880 Series is supported by one of the most complete lines of brass, brushed aluminum, and nonmetallic activations in the industry. Some applications for the 880 Series Floor Box are retail facilities, commercial offices, hotels, and financial institutions.

Features & Benefits

The 880 Series Floor Box provides an excellent solution for the low density power or communication requirements in open space areas. The 880 Series brings the power or communication service directly to the workstation. The 880 Series comes in a cast iron version for on grade applications and an economical stamped steel version for above grade applications. The 880 Series is supported by one of the most complete lines of brass, brushed aluminum, and nonmetallic activations in the industry. Some applications for the 880 Series Floor Box are retail facilities, commercial offices, hotels, and financial institutions.

Specifications

General Info

Product Line	Wiremold	UPC Number	786564540403
Country Of Origin	Mexico	Construction	Assembled
Application Sector	Commercial	Standard	cULus Listed Metallic Outlet Boxes: File E2961 Guide QCIT Meets Article 314.27(C) of NEC.
Type	Floor Box		

Dimensions

Product Width US	4.8 in	Product Depth US	4.8 in
Product Height US	2.75 in	Cubic Capacity	39 cu in

Listing Agencies / 3rd Party Agencies

cULus ListingNumber

E2961

cULus Listed

Yes

Buy American Act Compliance

NAFTA

Yes

Additional Information

RoHS Conformant

Yes

Technical Information

Cable Entry

Knockouts
