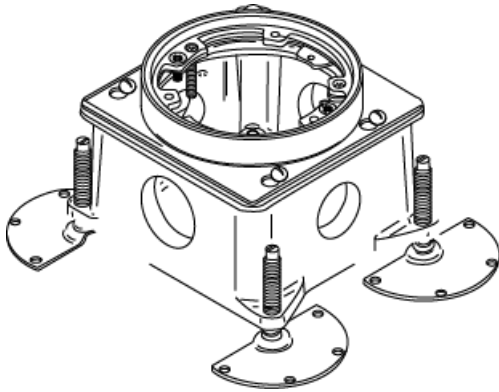




Wiremold  
889B Cast-Iron Floor Box  
Part No. 889B



The 880 Series Floor Box provides an excellent solution for the low density power or communication requirements in open space areas. The 880 Series brings the power or communication service directly to the workstation. The 880 Series comes in a cast iron version for on grade applications and an economical stamped steel version for above grade applications. The 880 Series is supported by one of the most complete lines of brass, brushed aluminum, and nonmetallic activations in the industry. Some applications for the 880 Series Floor Box are retail facilities, commercial offices, hotels, and financial institutions.

## Features & Benefits

The 880 Series Floor Box provides an excellent solution for the low density power or communication requirements in open space areas. The 880 Series brings the power or communication service directly to the workstation. The 880 Series comes in a cast iron version for on grade applications and an economical stamped steel version for above grade applications. The 880 Series is supported by one of the most complete lines of brass, brushed aluminum, and nonmetallic activations in the industry. Some applications for the 880 Series Floor Box are retail facilities, commercial offices, hotels, and financial institutions.

## Specifications

### General Info

Product Line	Wiremold	UPC Number	786564540427
Country Of Origin	United States	Construction	Assembled
Application Sector	Commercial	Standard	cULus Listed Metallic Outlet Boxes: File E2961 Guide QCIT Meets Article 314.27(C) of NEC.
Type	Floor Box		

### Dimensions

Product Width US	4.8 in	Product Depth US	4.8 in
Product Height US	3.5 in	Cubic Capacity	40 cu in

### Listing Agencies / 3rd Party Agencies

cULus ListingNumber	E2961	cULus Listed	Yes
---------------------	-------	--------------	-----

---

## Buy American Act Compliance

---

NAFTA	Yes
-------	-----

---

## Additional Information

---

RoHS Conformant	Yes
-----------------	-----

---

## Technical Information

---

Cable Entry	Conduit Opening
-------------	-----------------

---