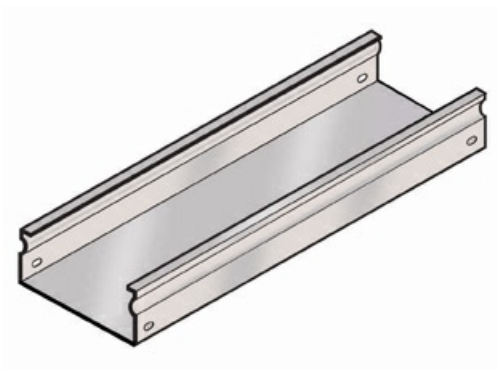




Cablofil  
FiberTrough Straight- WHITE (2H, 2W)  
Part No. 960577



Cablofil Fiber Trough utilizes high strength steel components to provide the strength and durability required to manage fiber cabling requirements in the most demanding data center environments.

## Features & Benefits

Strong corrosion resistant steel construction.

Rolled Edge: for cable protection.

Unique Design: allows cover to snap on.

18 gage steel (t).

## Specifications

### General Info

Product Line	Cablofil	Finish	Custom Painted
UPC Number	800388471757	Country Of Origin	Italy

### Dimensions

Product Width US	2.0 in	Product Weight US	4.9 lb
Product Volume US	0.272 cu ft	Product Depth US	117.6 in
Product Height US	2.0 in		

### Buy American Act Compliance

BAA	Yes
-----	-----