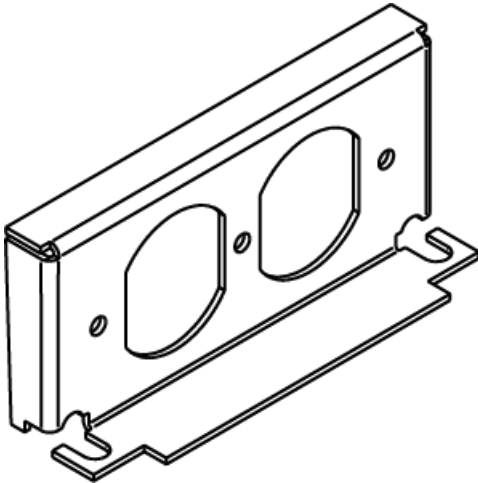




Wiremold
RFB4-CI-1 Series Internal Duplex Receptacle Bracket
Part No. CIHT-D



Accepts standard 15 Amp and 20 Amp Duplex Receptacles. NOTE:
For use with RFB4-CI-1 only.

Features & Benefits

Accepts standard 15 Amp and 20 Amp Duplex Receptacles. NOTE: For use with RFB4-CI-1 only.

Specifications

General Info

Product Line	Wiremold	UPC Number	786564320456
Country Of Origin	United States	Construction	Unassembled
Application Sector	Commercial	Standard	cULus Listed Metallic Outlet Boxes: File E2961 Guide QCIT Meets Article 314.27(C) of NEC.
Type	Floor Box		

Listing Agencies / 3rd Party Agencies

cULus ListingNumber	E2961	cULus Listed	Yes
---------------------	-------	--------------	-----

Buy American Act Compliance

NAFTA	Yes
-------	-----

Additional Information

RoHS Conformant	Yes
-----------------	-----