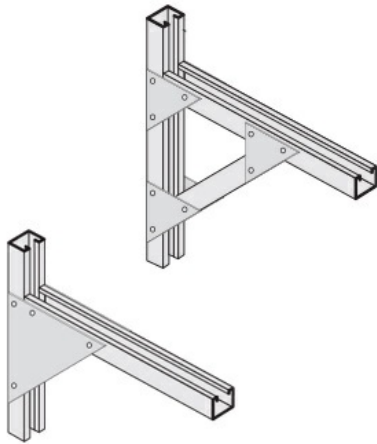




Cablofil
F-0386-10 Fiberglass Support Bracket 10"L
Part No. P086453



For extremely corrosive applications we offer a full line of straight sections, fittings, covers and mounting accessories in polyester and vinylester fiberglass. Rail heights are available in 4" and 6" and widths are available up to 36".

Features & Benefits

Polyester resin Fiberglass standard

Specifications

General Info

Product Line	Cablofil	Finish	Other
UPC Number	800388517844	Country Of Origin	United States

Dimensions

Product Width US	11.625 in	Product Weight US	12.73 lb
Product Volume US	0.189 cu ft	Product Depth US	3.125 in
Product Height US	9.0 in		

Buy American Act Compliance

BAA	Yes
-----	-----