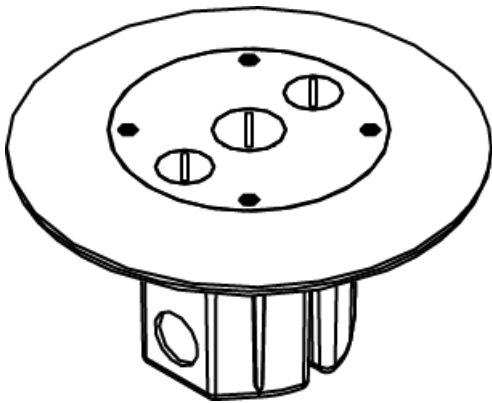




Wiremold
861FFTC Series Furniture Feed Raised Floor Box Assembly
Part No. 861FFTCBS



Cover has two 1/2" trade size conduits and one 3/4" trade size threaded conduit opening for feeding cables and wires through the floor. Flush flanges available in a variety of colors/finishes. Slide covers match painted flange colors. Aluminum and brass covers shipped with black slide covers. Brass flange also available with nonmetallic brass-color slide holder. Die-cast aluminum construction with three 1/2" trade size knockouts: two on the sides and one on the bottom. 18 cu. in. (295 cu.cm) capacity. Requires a 4" (102mm) diameter hole.

Features & Benefits

Cover has two 1/2" trade size conduits and one 3/4" trade size threaded conduit opening for feeding cables and wires through the floor. Flush flanges available in a variety of colors/finishes. Slide covers match painted flange colors. Aluminum and brass covers shipped with black slide covers. Brass flange also available with nonmetallic brass-color slide holder. Die-cast aluminum construction with three 1/2" trade size knockouts: two on the sides and one on the bottom. 18 cu. in. (295 cu.cm) capacity. Requires a 4" (102mm) diameter hole.

Specifications

General Info

Product Line	Wiremold	UPC Number	786564013433
Country Of Origin	Mexico	Construction	Assembled
Number of Knockouts	3	Application Sector	Commercial
Standard	cULus Listed Metallic Outlet Boxes: File E2961 Guide QCIT Meets Article 314.27(C) of NEC.	Type	Floor Box

Dimensions

Cubic Capacity 18 cu in

Listing Agencies / 3rd Party Agencies

cULus ListingNumber E2961 cULus Listed Yes

Buy American Act Compliance

NAFTA Yes

Additional Information

RoHS Conformant Yes

Technical Information

Cable Entry Knockouts
