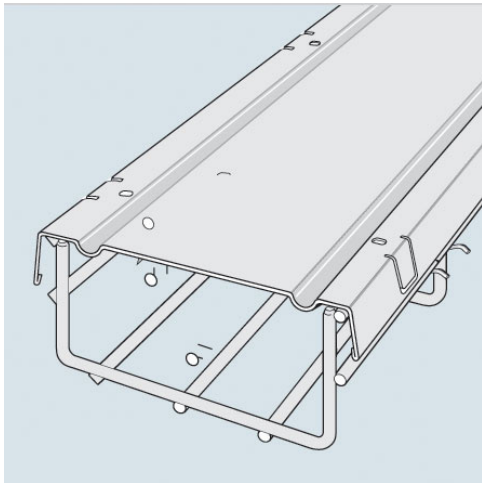




Cablofil  
**CABLOFIL COVER-PAINTED (1H,20W,39L)(3 PCS)**  
Part No. 934085



Cablofil Wiremesh Cable Tray concept based upon performance, safety and economy

## Features & Benefits

three qualities which make Cablofil Wiremesh Cable Tray system preferred by installers. Cablofil adapts to the most complex configurations, and its structure gives maximum strength for minimum weight. The ease of creating fittings, carried out on site, as well as the wide range of unique and universal accessories gives complete freedom in routing combined with exceptionally fast installation.

## Specifications

### General Info

Product Line	Cablofil	Finish	Custom Painted
UPC Number	800388008342	Country Of Origin	Italy
Type	Straight Sections		

### Dimensions

Product Width US	21.051 in	Product Weight US	24.861 lb
Product Volume US	0.481 cu ft	Product Depth US	39.5 in
Product Height US	1.0 in		

### Buy American Act Compliance

BAA	Yes
-----	-----