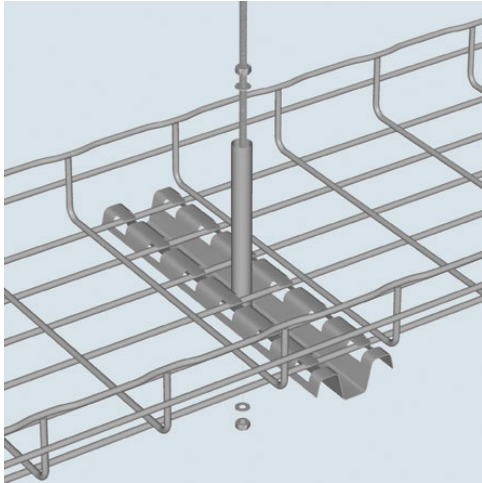




Cablofil
FAS CENTER HANGER-BLACK (6D,,2W,,24L) [941315]
Part No. 941315



Cablofil Wiremesh Cable Tray concept based upon performance, safety and economy; three qualities which make Cablofil Wiremesh Cable Tray system preferred by installers. Cablofil adapts to the most complex configurations, and its structure gives maximum strength for minimum weight. The ease of creating fittings, carried out on site, as well as the wide range of unique and universal accessories gives complete freedom in routing combined with exceptionally fast installation.

Features & Benefits

Only one threaded rod is needed to suspend tray. Suspension tube protects cables.6'' and 18'' Center Hangers have offset suspension tube to avoid center wire. Threaded rod, nuts and washers sold separately.Balanced loading recommended.

Specifications

General Info

Product Line	Cablofil	Finish	Custom Painted
UPC Number	800388010369	Country Of Origin	China
Type	Supports		

Dimensions

Product Width US	2.67 in	Product Weight US	1.67 lb
Product Volume US	0.214 cu ft	Product Depth US	23.39 in
Product Height US	5.91 in		

Buy American Act Compliance

BAA	Yes
-----	-----

Additional Information

RoHS Conformant	Yes
-----------------	-----