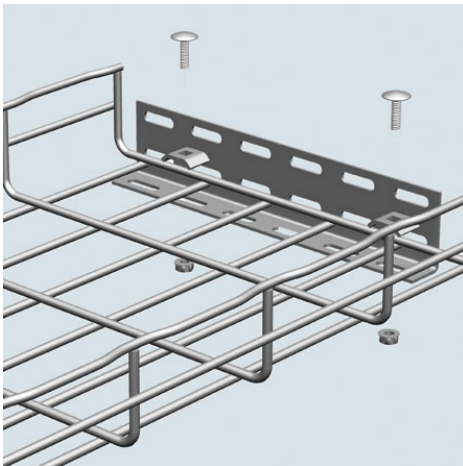




**Cablofil**  
**WALL TERMINATION KIT-HOT DIPPED (INCL. HARDWARE)(2D,,2W,,9.5L) [942696]**  
Part No. 942696



Cablofil Wiremesh Cable Tray concept based upon performance, safety and economy; three qualities which make Cablofil Wiremesh Cable Tray system preferred by installers. Cablofil adapts to the most complex configurations, and its structure gives maximum strength for minimum weight. The ease of creating fittings, carried out on site, as well as the wide range of unique and universal accessories gives complete freedom in routing combined with exceptionally fast installation.

## Features & Benefits

0Slotted design adapts to any configuration. Kit contains two EZ BN 1/4 and two CE 25 with one HB2.

## Specifications

### General Info

|              |              |                   |                       |
|--------------|--------------|-------------------|-----------------------|
| Product Line | Cablofil     | Finish            | Hot Dipped Galvanized |
| UPC Number   | 800388012936 | Country Of Origin | United States         |
| Type         | Supports     |                   |                       |

### Dimensions

|                   |             |                   |          |
|-------------------|-------------|-------------------|----------|
| Product Width US  | 2.0 in      | Product Weight US | 0.513 lb |
| Product Volume US | 0.022 cu ft | Product Depth US  | 9.43 in  |
| Product Height US | 2.0 in      |                   |          |

### Buy American Act Compliance

|     |     |  |  |
|-----|-----|--|--|
| BAA | Yes |  |  |
|-----|-----|--|--|

### Additional Information

|                 |     |                               |     |
|-----------------|-----|-------------------------------|-----|
| RoHS Conformant | Yes | Product Environmental Profile | Yes |
|-----------------|-----|-------------------------------|-----|