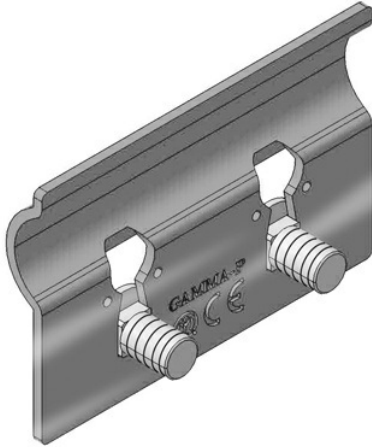




Cablofil  
Trough FAS Coupler-PAINTED (4H)  
Part No. 960553



V-Trough cable tray keeps your cables protected and easy to manage. Its high-strength steel construction matches many European OEM specifications and is available in smaller sizes for control and instrumentation cabling. V-Trough is manufactured to exacting standards so that all components fit together perfectly, making installation a snap.

## Features & Benefits

Hardware included. M6x12mm square neck carriage bolt (zinc plated) and M6 serrated flange hex nut (zinc plated).

## Specifications

### General Info

Product Line	Cablofil	Finish	Custom Painted
Country Of Origin	Italy		

### Dimensions

Product Width US	0.55 in	Product Weight US	0.399 lb
Product Volume US	0.002 cu ft	Product Depth US	2.36 in
Product Height US	2.6 in		

### Buy American Act Compliance

BAA	Yes
-----	-----