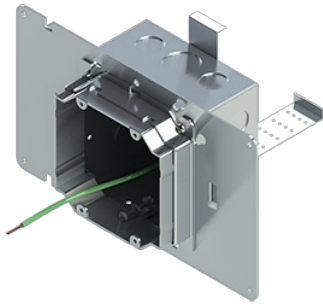




Cablofil
4" Square Box with Ground Pigtail and 2-Gang Adj. Ring with protective mud cover - Box of 10 [EF000071]
Part No. EF000071



EZE FAB factory configured branch circuit wiring assemblies dramatically reduce labor and increase productivity on the jobsite

Features & Benefits

Fully assembled, ready for rough in installation

Specifications

General Info

Product Line	Cablofil	Finish	Other
UPC Number	800388470699	Country Of Origin	Mexico

Dimensions

Product Width US	8.75 in	Product Weight US	23.458 lb
Product Volume US	0.228 cu ft	Product Depth US	11.25 in
Product Height US	4.0 in		

Buy American Act Compliance

BAA	Yes
-----	-----