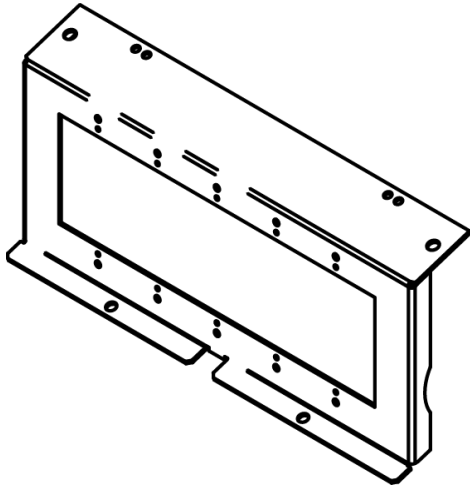




Wiremold  
**5-GANG MOUNTING BRACKET**  
Part No. EFB10-5GMB



Evolution™ Series Floor Boxes are the latest advancement in the most complete and innovative line of floor solutions in the industry. In addition to a unique design that allows the same floor box to be used in multiple floor applications, high capacity and multi-functional capabilities make Evolution Series Floor Boxes ideal for areas where large capacity audio/video, power and communication services are needed. Ranging in size from 6- to 10-gangs of capacity, these boxes have completely finished interiors with removable modules that provide easy access for reconfiguring services. Evolution Series Floor Boxes are an ideal option for installations where services are constantly evolving, such as commercial offices, conference rooms, stages, and entertainment venues.

## Features & Benefits

Holds a standard 5-gang device plate Device plate dimensions: 10" x 4 1/2" (254mm x 116mm).

## Specifications

### General Info

Product Line	Wiremold	UPC Number	786776183573
Country Of Origin	United States	Construction	Unassembled
Application Sector	Commercial	Standard	cULus Listed Metallic Outlet Boxes: File E2961 Guide QCIT Meets Article 314.27(C) of NEC.
Type	Floor Box		

### Listing Agencies / 3rd Party Agencies

cULus ListingNumber	E2961	cULus Listed	Yes
---------------------	-------	--------------	-----

### Buy American Act Compliance

NAFTA	Yes
-------	-----

### Additional Information

RoHS Conformant	Yes
-----------------	-----