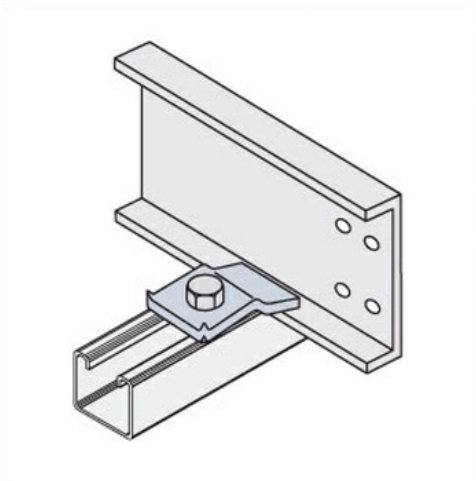




Cablofil
Aluminum Expansion Guide Clamp w/Zinc-Plated Steel (10/BAG) (TRA)
Part No. P087847



The aluminum I-beam design of ITray is perfect for industrial installations with large diameter cables in long span situations, minimizing total tray width and creating a smooth transition between straight sections and fittings. A structural offset in the sidewall creates strong, mid-span splices that need fewer supports. Each splice snaps in place and stays without holding. Additionally, only four bolts are needed for each splice reducing hardware needs by 50%. These features allow Itray to be installed up to 30% faster than standard tray.

Features & Benefits

Designed for use with all trays.

Specifications

General Info

Product Line	Cablofil	Finish	Aluminum
UPC Number	800388046207	Country Of Origin	Mexico
Application Sector	Commercial/Industrial	Standard	UL Classified
Type	Cable Tray		

Dimensions

Product Weight US	12.1 lb
-------------------	---------

Buy American Act Compliance

BAA	Yes
-----	-----