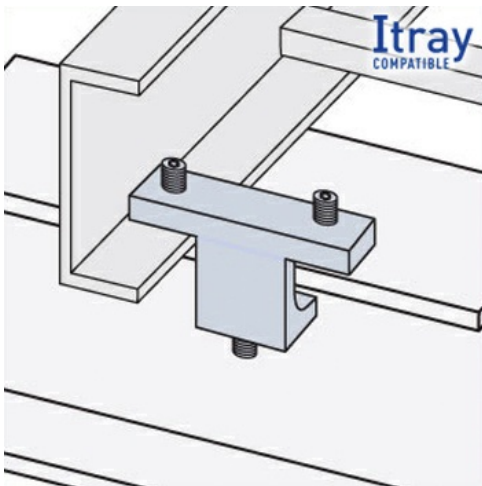




Cablofil
I-Beam Hold Down Clamp/Expansion Guide
Part No. P600428



The aluminum I-beam design of ITray is perfect for industrial installations with large diameter cables in long span situations, minimizing total tray width and creating a smooth transition between straight sections and fittings. A structural offset in the sidewall creates strong, mid-span splices that need fewer supports. Each splice snaps in place and stays without holding. Additionally, only four bolts are needed for each splice reducing hardware needs by 50%. These features allow Itray to be installed up to 30% faster than standard tray.

Features & Benefits

Hold Down Clamp firmly attached the cable tray to the flange of an I-beam type support.

Includes (2) 1/2" x 5/8" screws and (1) 1/2" x 1 1/2" screw.

Expansion Guide attaches the clamp to the flange of an I-beam type support, allowing movement of the tray side rail due to thermal contraction and expansion.

Includes (1) 1/2" x 1 1/2" screw.

No drillign is required for either installation

Specifications

General Info

Product Line	Cablofil	Finish	Stainless 316
Country Of Origin	China		

Dimensions

Product Width US	3.0 in	Product Weight US	0.68 lb
Product Volume US	0.009 cu ft	Product Depth US	2.0 in
Product Height US	2.548 in		