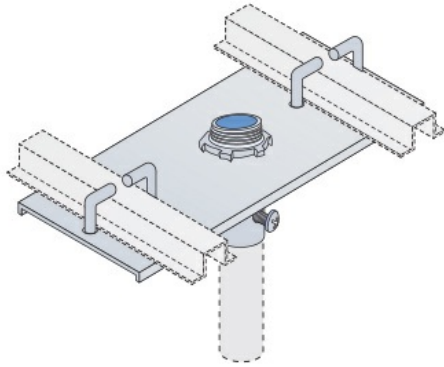




Cablofil  
Conduit Plate Clamp  
Part No. P606696



Choose from an extensive selection of metallic ladder tray with a variety of rung and bottom styles to choose from. Finishes include steel, 304L and 316L stainless steel to meet the needs of any application. Rail heights range from 4" to 7" and width sizes are available up to 36".

## Features & Benefits

Unitized welded construction

## Specifications

### General Info

Product Line	Cablofil	Finish	GS
UPC Number	800388527881	Country Of Origin	Mexico

### Dimensions

Product Width US	14.5 in	Product Weight US	1.334 lb
Product Volume US	0.213 cu ft	Product Depth US	4.61 in
Product Height US	5.5 in		

### Buy American Act Compliance

BAA	Yes
-----	-----