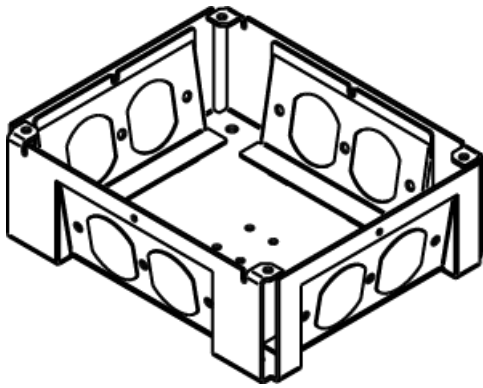




Wiremold
RFB4 Series Conversion Kit
Part No. RFB-WTB



To convert RFB4 Box to an RFB4-4DB Box. NOTE: For RFB4 only. For use on tile, terrazzo, carpet, or wood covered floors. Additional configurations available. Please consult your local Sales Representative for more information.

Features & Benefits

To convert RFB4 Box to an RFB4-4DB Box. NOTE: For RFB4 only. For use on tile, terrazzo, carpet, or wood covered floors. Additional configurations available. Please consult your local Sales Representative for more information.

Specifications

General Info

Product Line	Wiremold	UPC Number	786564277514
Country Of Origin	Mexico	Construction	Unassembled
Application Sector	Commercial	Standard	cULus Listed Metallic Outlet Boxes: File E2961 Guide QCIT Meets Article 314.27(C) of NEC.
Type	Floor Box		

Listing Agencies / 3rd Party Agencies

cULus ListingNumber	E2961	cULus Listed	Yes
---------------------	-------	--------------	-----

Buy American Act Compliance

NAFTA	Yes
-------	-----

Additional Information

RoHS Conformant	Yes
-----------------	-----