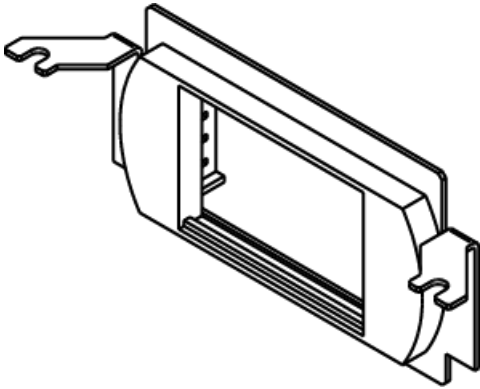




Wiremold
RFB4 Series Communication Bracket
Part No. RFB4-LPB



Wiremold CM Series low profile adapter included. Wiremold CM Series Open System inserts sold separately. NOTE: For RFB4 Series Floor Box side compartment only. For use on tile, terrazzo, carpet, or wood covered floors. Additional configurations available. Please consult your local Sales Representative for more information.

Features & Benefits

Wiremold CM Series low profile adapter included. Wiremold CM Series Open System inserts sold separately. NOTE: For RFB4 Series Floor Box side compartment only. For use on tile, terrazzo, carpet, or wood covered floors. Additional configurations available. Please consult your local Sales Representative for more information.

Specifications

General Info

Product Line	Wiremold	UPC Number	786564544579
Country Of Origin	United States	Construction	Unassembled
Application Sector	Commercial	Standard	cULus Listed Metallic Outlet Boxes: File E2961 Guide QCIT Meets Article 314.27(C) of NEC.
Type	Floor Box		

Dimensions

Product Width US	2.7 in	Product Length US	6.77 in
------------------	--------	-------------------	---------

Listing Agencies / 3rd Party Agencies

cULus ListingNumber	E2961	cULus Listed	Yes
---------------------	-------	--------------	-----

Buy American Act Compliance

NAFTA	Yes
-------	-----

Additional Information

RoHS Conformant

Yes
